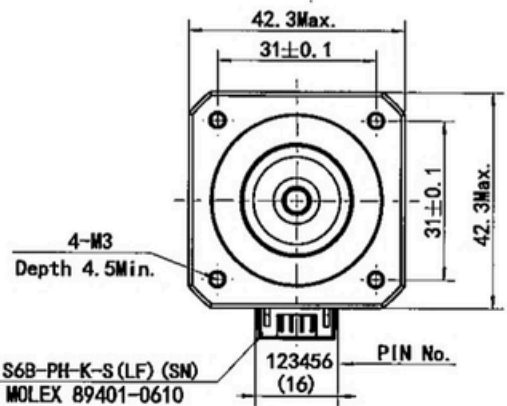
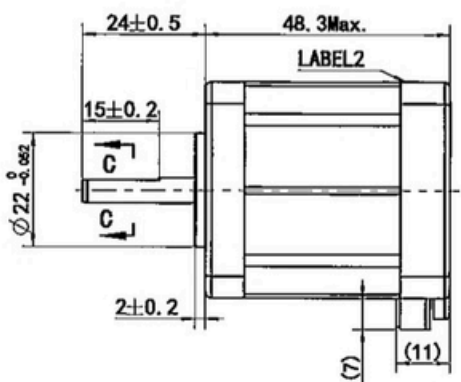
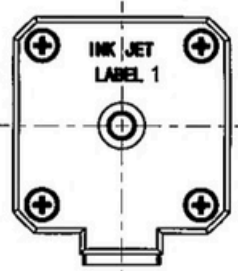
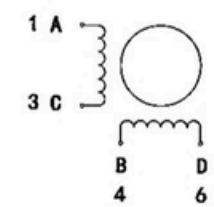


MS17HA6P4100



Wiring Diagram



Exciting Sequence vs. Direction of Rotation

STEP	A	B	C	D	CCW
1	+	+	-	-	↑
2	-	+	+	-	
3	-	-	+	+	
4	+	-	-	+	

CW ↓

Clockwise view from mounting side

Label2 Detail

STEPPING MOTOR
 Insulation: Class B, 60VDC Max.
 1Amps Holding: 540 mNm
 3000RPM Max. **CAI US**
 UL FILE No. E465363 XXX

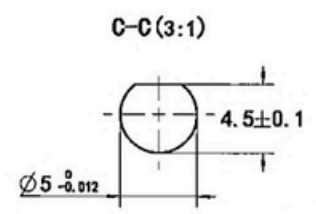
Factory ID

Label1 Detail

TYPE MS17HA6P4100
 XXXXXXXX YY/MM/DD

Work Order Date Format

Specification	
1. Number of Phase	2
2. Step Angle	0.9°
3. Rated Voltage	5 V DC
4. Rated Current	1 Amp
5. Holding Torque	540 mNm Typ. (Two phase on/rated current)
6. Phase Resistance	5 ohm ±10% (20°C)
7. Phase Inductance	16 mH ±20% (1kHz 1V rms)
8. Rotor Inertia	82 gcm ²
9. Motor Weight	0.45 kg
10. Insulation Class	B (130°C)



			Unit:mm							
			First angle method							
			Tolerances for linear and angular dimensions without individual tolerance indications GB/T 1804-m eqv ISO 2768-1:m							
			Geometrical tolerance for features without individual tolerance indications GB/T 1184-K eqv ISO 2768-2:K							
A1	ECR:23-317, There are two positions	2023.03.28								
A0	Original revision	2017.01.09								
REV.	REVISION RECORD	DATE	UNLESS OTHERWISE SPECIFIED	NAMES	SIGNATURE	DATE	Drawing No: 461110015924	Rev. A1	SCALE: 1:1	Sheet 1 of 1

PIVEXIN TECHNOLOGY